


DIVAR - MANUAL

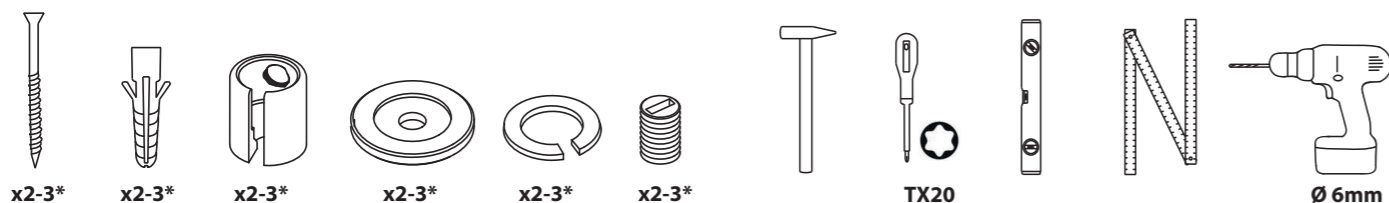
Please, read our instructions before installing and using the product.

If you have any problems with the electrical installation, contact an electrician. Be sure to turn off the power before you start the installation. In some countries, all electrical installation must be carried out by professional electricians only. For further information, contact the relevant authorities. Our products are for indoor use only. Check on a regular basis that the cord and other parts are not damaged. In this case, the product must not be used. Save these instructions for future use.

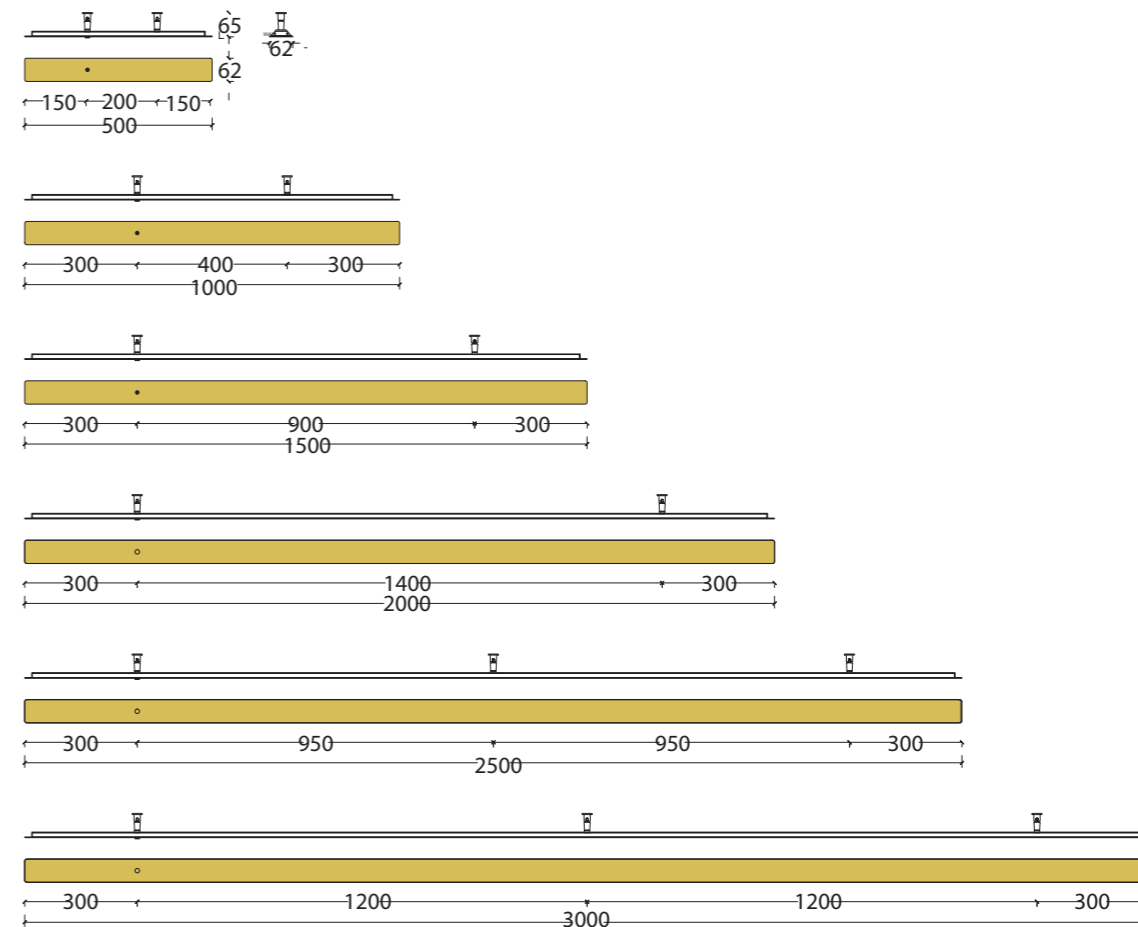
We use LED as a light source for our products. For replacement of LED contact Anour. The product should not be dismantled as it may get damaged. The product should not come into direct contact with water.

 Our products are marked with the symbol of the crossed out wheelie bin. That means that the product should not be disposed of with other household waste. Our products must be recycled in accordance with local environmental regulations for the disposal of waste. In complying with this you will help to minimize any adverse effect on human and environmental health. If you have any questions please contact Anour. contact@anour.dk (June 2019)

EQUIPMENT

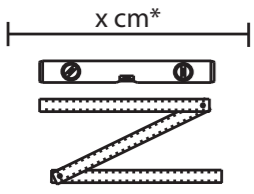


DIMENSIONS



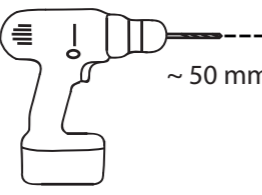
STANDARD INSTALLATION with cord and plug in power supply

(1)



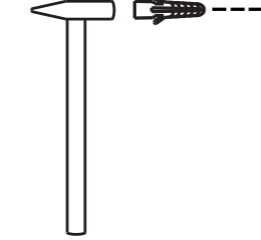
x cm*

(2)




~ 50 mm

(3)




(4)



(5)

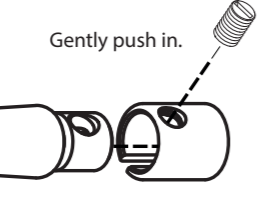
FOR HORIZONTAL INSTALLATION ONLY


Gap between ring should face upwards



(6)

Gently push in.





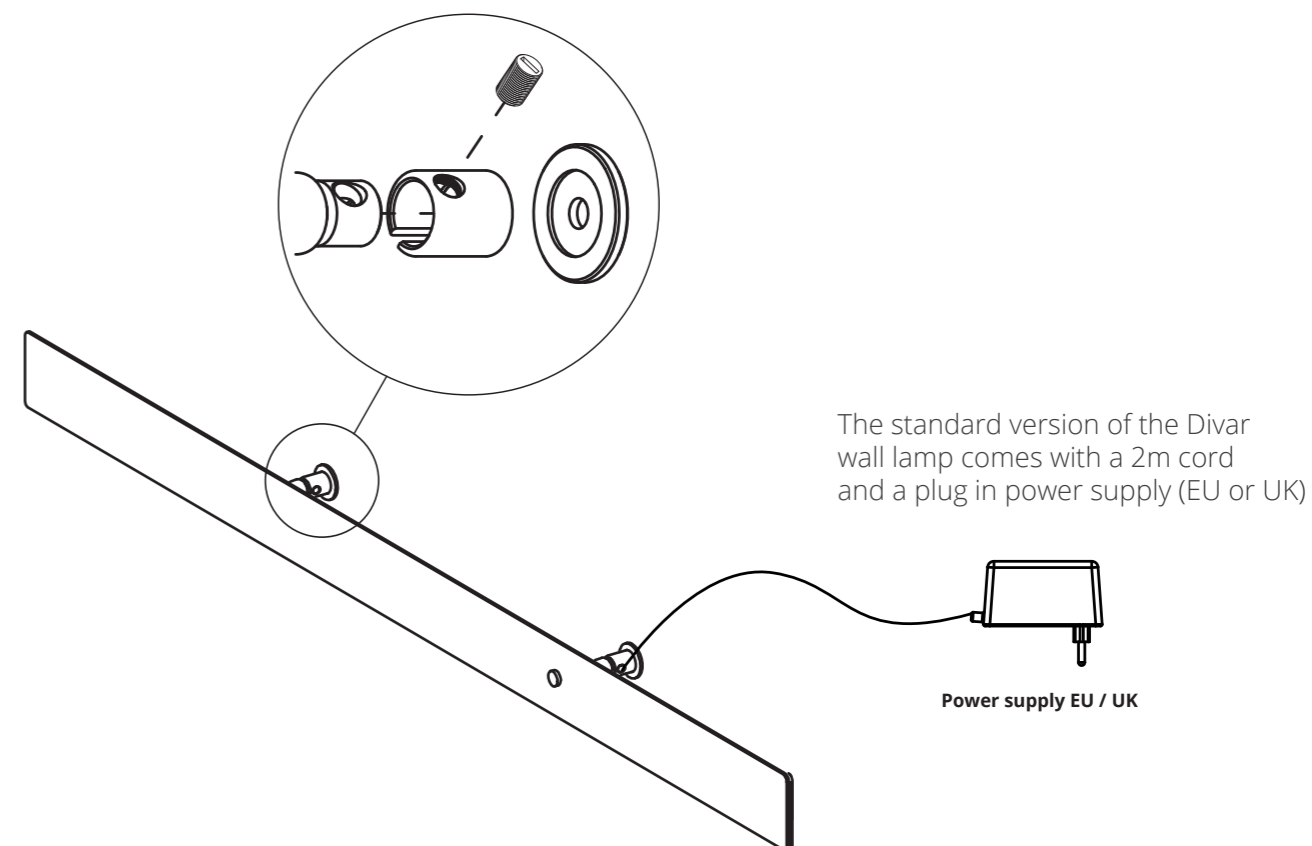
Tighten the bolt gently. Leave approximately 2mm.

IMPORTANT!

On / Off / Dimming.

- Quick tap on the button on the lamp = On/Off.
- Hold finger on the button = brighten or dim.
- Double tap: for max or min brightness

If the button does not respond, turn off main power for the duration of 30 sec and try again.



DIVAR - INSTALLATION OPTIONS

The standard version of the Divar wall lamp comes with a 2m cord and a plug-in power supply.
 If you wish to have an external power supply and a dimming system integrated into your wall installation, we offer three different options.
 In case of your interest in one of those options, please mention it in your order request.
 Please consult a qualified electrician with regards to the proper electrical connection.

