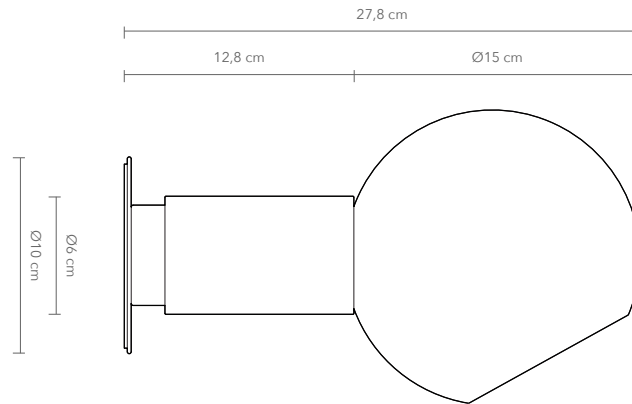


ANOUR



DONYA - WALL



PRODUCT: DONYA WALL

LEAD TIME: 8-10 weeks

WEIGHT: 2 kg (approximate value)

PACKAGE WEIGHT: 2,5 kg (approximate value)

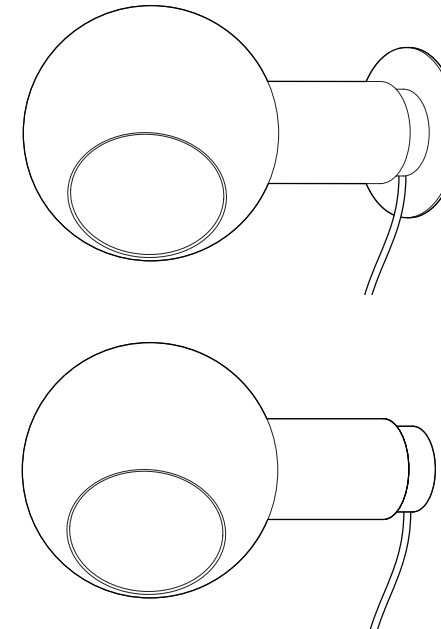
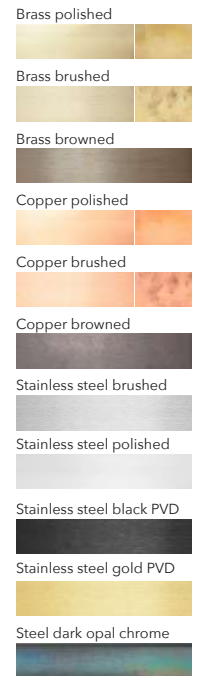
CORD: 2m black textile cord with on/off switch + wall plug

DIMMER: No dimming

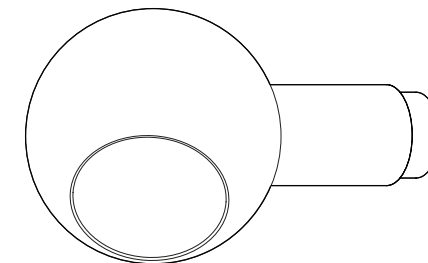
CERTIFICATION: CE (230V)

MATERIAL: Stainless steel, Brass, Copper, White opal glass

AVAILABLE MATERIALS AND FINISHES:

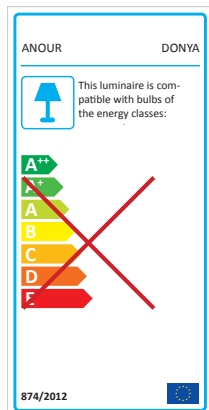


BACKPLATE REMOVABLE



BUILD IN SOLUTION AVAILABLE - PLEASE SPECIFY WHEN ORDERING

SAME PRODUCT CAN BE USED AS A TABLE LAMP, CEILING OR A WALL LAMP



TECHNICAL DETAILS:

240V / 120V

Illumination

GU 10 bulb (bulb not included)

Wattage: Max. 6 W