

ANOUR

I - MODEL CORD

Installation manual

Please, read our instructions before installing and using the product.

Unpack the lamp upon receiving it. If you keep the lamp in the original packing for a prolonged period, the lamp surface might be affected.


If you have any problems with the electrical installation, contact an electrician. Be sure to turn off the power before you start the installation. In some countries, all electrical installation must be carried out by professional electricians only. For further information, contact the relevant authorities.

Our products are for indoor use only. Check on a regular basis that the cord and other parts are not damaged. In this case, the product must not be used. Save these instructions for future use.

We use LED as a light source for our products. For replacement of LED contact Anour. The product should not be dismantled as it may get damaged. The product should not come into direct contact with water.

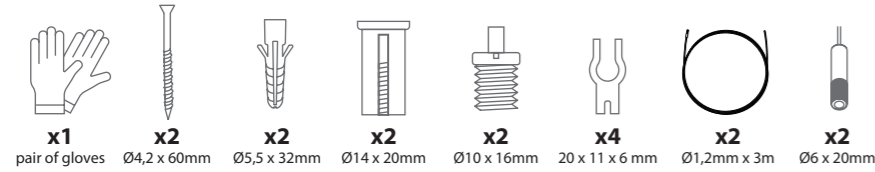
Ceiling cap is not part of the package.

The lamp must be connected to the wall switch. This wall switch should be used on a regular basis to ensure the proper functionality of the lamp and driver longevity.

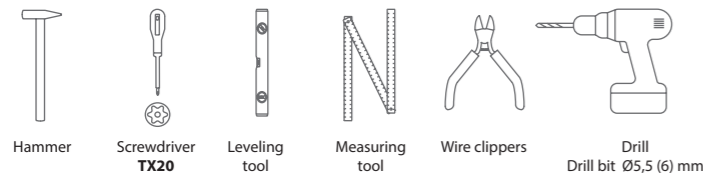
 Our products are marked with the symbol of the crossed out wheelie bin. That means that the product should not be disposed of with other household waste. Our products must be recycled in accordance with local environmental regulations for the disposal of waste. In complying with this you will help to minimize any adverse effect on human and environmental health.

If you have any questions please contact Anour.
contact@anour.dk (2023)

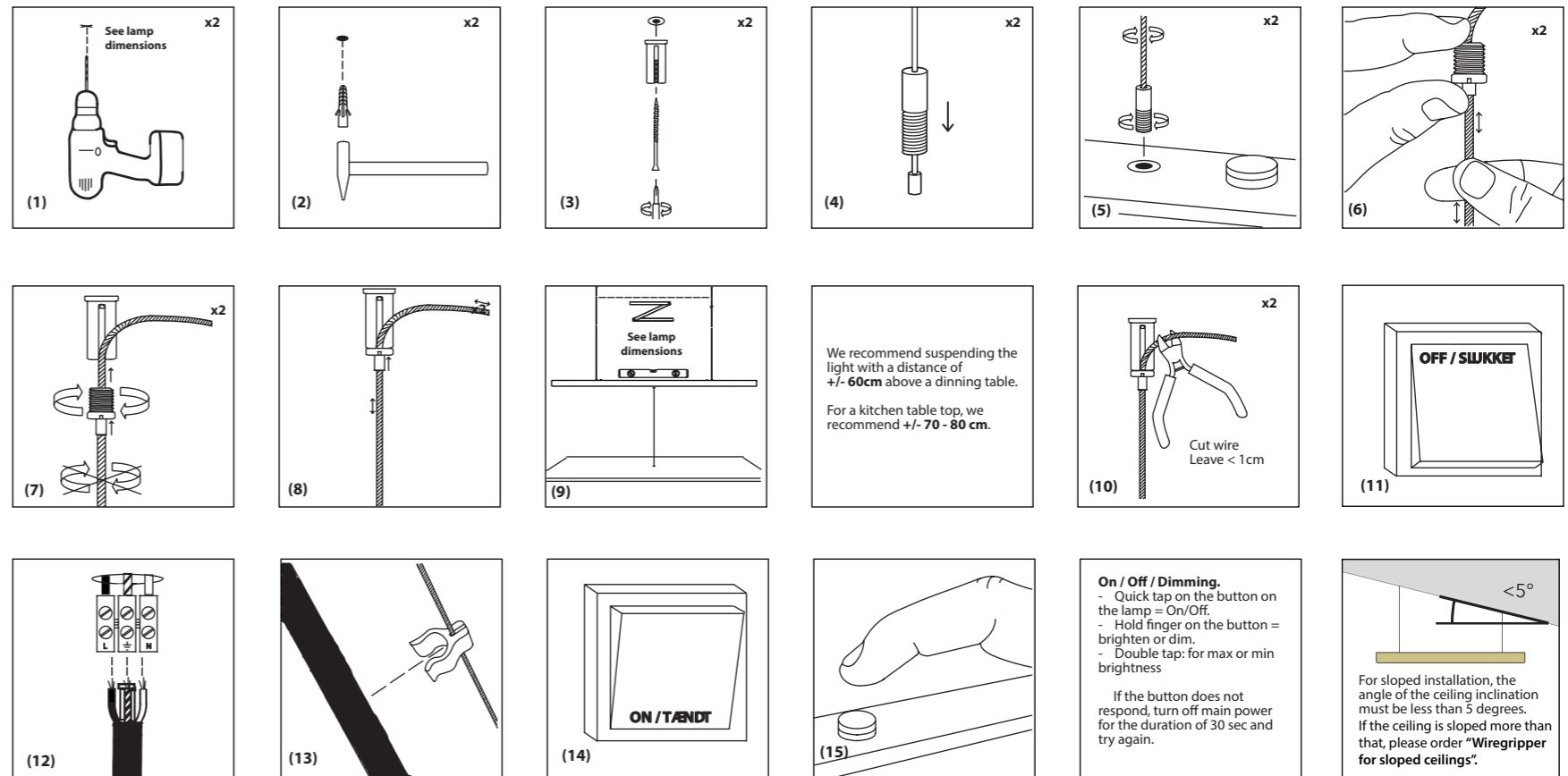
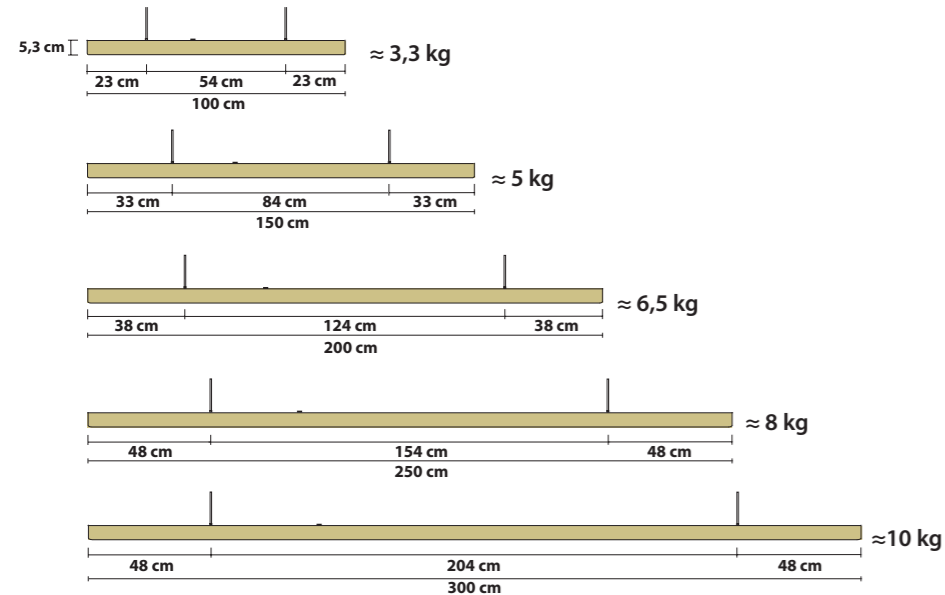
PARTS: (INCLUDED IN THE PACKAGE)



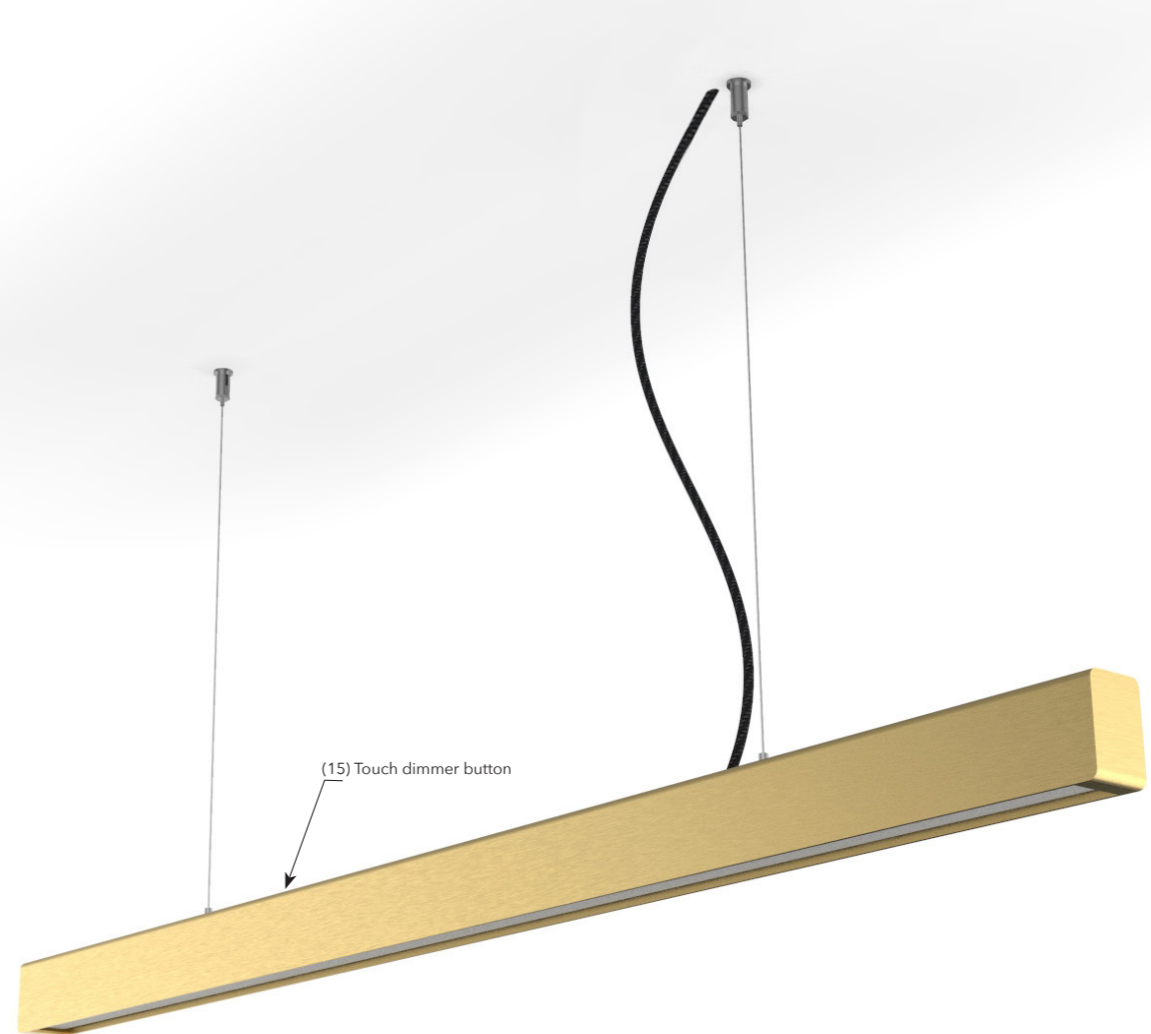
REQUIRED TOOLS: (NOT INCLUDED)



DIMENSIONS



Ceiling cap is not part of the package



We recommend suspending the light with a distance of +/- 60cm above a dining table.
For a kitchen table top, we recommend +/- 70 - 80 cm.

On / Off / Dimming.
- Quick tap on the button on the lamp = On/Off.
- Hold finger on the button = brighter or dim.
- Double tap: for max or min brightness

If the button does not respond, turn off main power for the duration of 30 sec and try again.

<5°
For sloped installation, the angle of the ceiling inclination must be less than 5 degrees.
If the ceiling is sloped more than that, please order "Wiregripper for sloped ceilings".

WIRING INSTALATION MANUAL **CORD**

Check your order first, as you cannot combine multiple solutions.

If you have any problems with the electrical installation, contact an electrician. Be sure to turn off the power before you start the installation. In some countries, all electrical installation must be carried out by professional electricians only. For further information, contact the relevant authorities.

Trailing edge dimming is not available.

Standard cord lenght is 3,5m unless requested otherwise.

1. DIAGRAM STANDARD WITH TOUCH DIMMER BUTTON ON THE LAMP



Cord width Ø6 mm

2. DIAGRAM DALI



Cord width Ø8,5 mm

3. DIAGRAM PUSH DIM



Cord width Ø8,5 mm

4. DIAGRAM 1-10V



Cord width Ø8,5 mm

5. TRIAC



Cord width Ø6 mm