

ANOUR

PAPILIO SINGLE

Installation manual

Please, read our instructions before installing and using the product.

Unpack the lamp upon receiving it. If you keep the lamp in the original packing for a prolonged period, the lamp surface might be affected.

If you have any problems with the electrical installation, contact an electrician. Be sure to turn off the power before you start the installation. In some countries, all electrical installation must be carried out by professional electricians only. For further information, contact the relevant authorities.

Our products are for indoor use only. Check on a regular basis that the cord and other parts are not damaged. In this case, the product must not be used. Save these instructions for future use.

We use LED as a light source for our products. For replacement of LED contact Anour. The product should not be dismantled as it may get damaged. The product should not come into direct contact with water.

The lamp must be connected to the wall switch. This wall switch should be used on a regular basis to ensure the proper functionality of the lamp and driver longevity.

Our products are marked with the symbol of the crossed out wheelie bin. That means that the product should not be disposed of with other household waste. Our products must be recycled in accordance with local environmental regulations for the disposal of waste. In complying with this you will help to minimize any adverse effect on human and environmental health.

If you have any questions please contact Anour.
contact@anour.dk (2023)

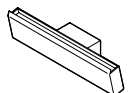
PARTS: (INCLUDED IN THE PACKAGE)



x1
Pair of gloves



x1
Wall bracket



x2
Lamp



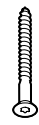
x3
Wago
connector



x2
Set screw
Hex 2,0



x1
torx 8 hex
tool



x4
Wall screw
Ø4,2 x 60mm



x4
Wall plug
Ø 5,5 x 32mm



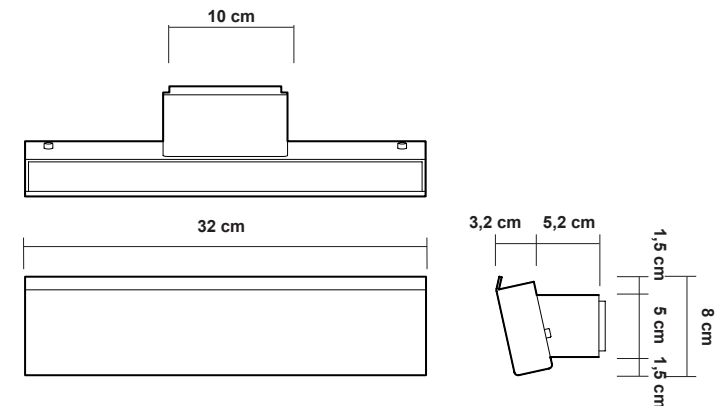
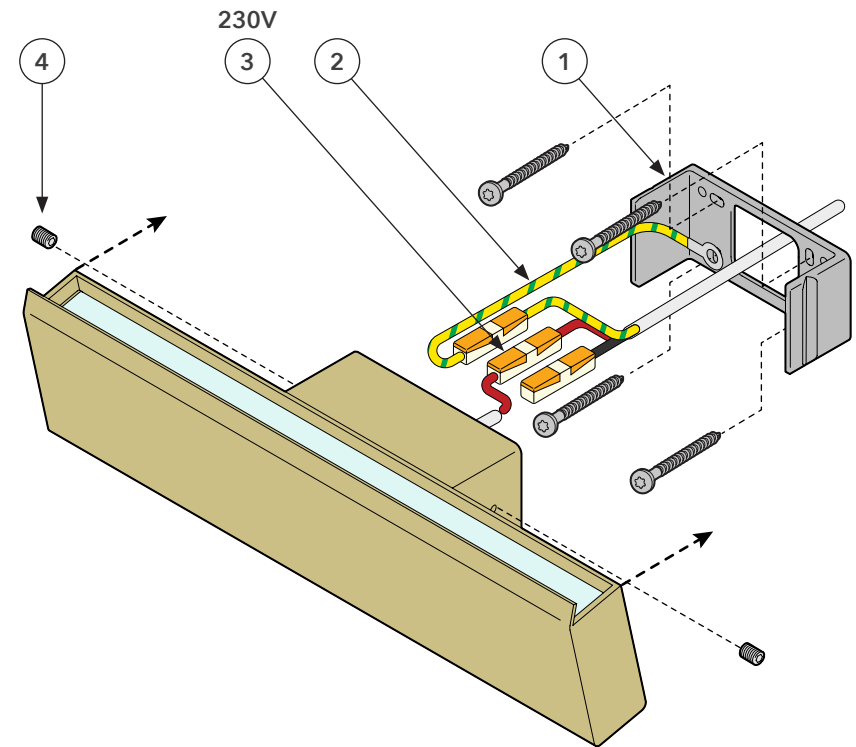
x1
Grounding
cord

for visible cord
installation:



x1
Wall spacer

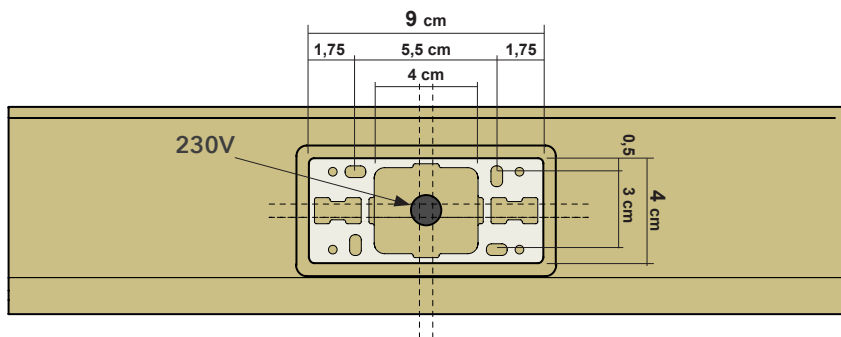
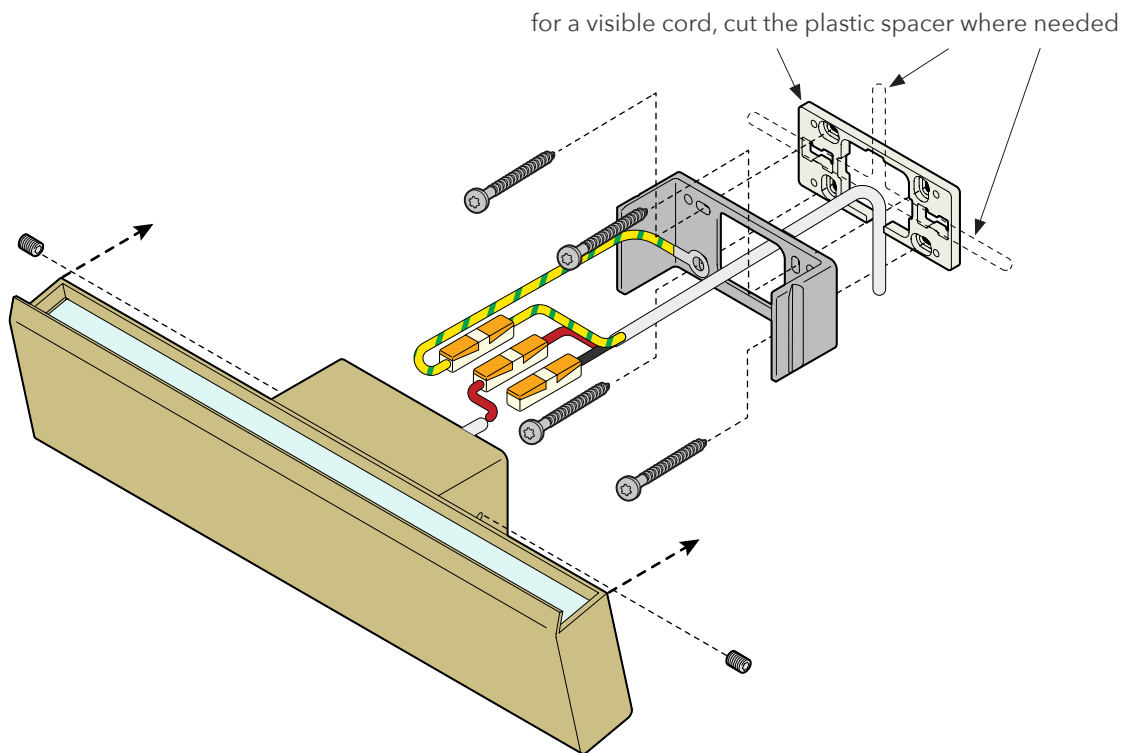
Standard installation (in-built)



Installation procedure:

Use attached gloves while handling the lamp to prevent the patination!

- Turn off the main power
- Measure the wall bracket position (see drawing on the second page).
- Mount the wall bracket with attached screws. Use wall plugs if needed (1.).
- Use one of the screws to attach the grounding wire to the wall bracket (2.).
- Connect one lamp to the 230V and grounding wire with the Wago connectors (3.)
- Put the lamp onto the wall bracket and lock with 2 set screws from each side (4.)



Check your order first, as you cannot combine multiple solutions.
 If you have any problems with the electrical installation, contact an electrician. Be sure to turn off the power before you start the installation. In some countries, all electrical installation must be carried out by professional electricians only. For further information, contact the relevant authorities.

1. TRIAC



2. DIAGRAM DALI



3. DIAGRAM PUSH DIM



4. DIAGRAM 1-10V



5. CASAMBI

