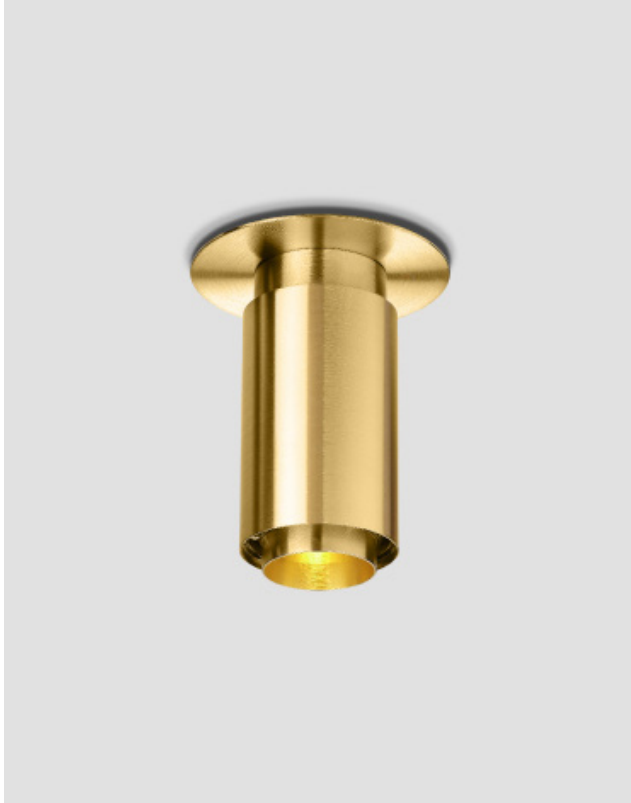


DONYA

Installation manual



ANOUR 

DONYA - CEILING SPOT

Installation manual

SAFETY INSTRUCTIONS:

Important! Before commencing the installation, disconnect the main cable from the power supply - remove fuse or turn switch to "OFF"!

1. Installation should be carried out in accordance with the local safety regulations.
2. In order to prevent damage, please check walls for cables before drilling holes.
3. Please ensure that all electrical connections are securely inserted and tightly fastened. Please secure all connections after changing or adjusting lamps. Screwed connections must ideally be tightened after 20 minutes of use.
4. Please do not place objects on the luminaire (e.g. for decorative purposes) if they were not delivered with the system.
5. The luminaire may get very hot when in use. Please allow the fixture to cool down before commencing work.
6. Do NOT change the lightbulb while the fixture is switched on.
7. Please use the lamp in accordance with its intended purpose only
8. We reserve the right to make technical alterations.

Fitting: **GU10 (max. 6 Watt)**

The glass used for this lamp is hand-blown. Only 1st. quality has been chosen. Air bubbles and variations in thickness and colour are normal. Our products are for indoor use only. Check on a regular basis that the cord and other parts are not damaged. In which case, the product must not be used. Save these instructions for future use. (Autumn 2022)

CE

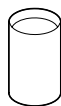
Parts (included in the package):



x1
pair of
gloves



x1
Reflector
10mm x
Ø 42 mm



x1
lamp body
96 mm x
Ø60 mm



x1
lamp base
50 mm x
Ø 100 mm



x3
Ø 4,2 x 55mm



x3
Ø 5,5 x 32mm

Parts optional (included in the package):

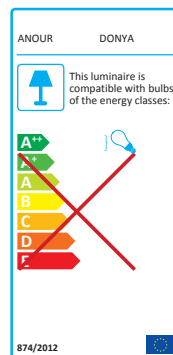


x1
wall adaptor disc
6 mm x
Ø 90 mm



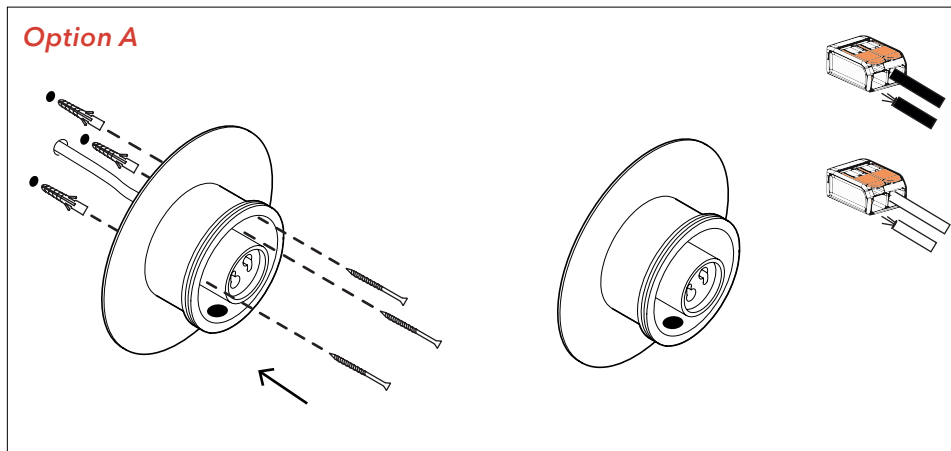
x3
Ø 5,5 x 32mm

Light bulb not included



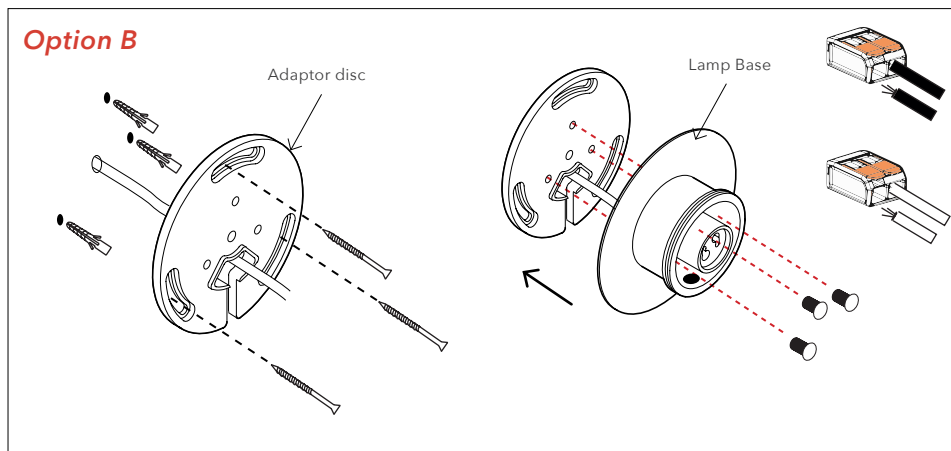
DONYA / CEILING SPOT

Installation manual (integrated)



1A. Mount the lamp base to the wall with 3 wall screws and 3 wall plugs. Please make sure it is attached securely to the wall.

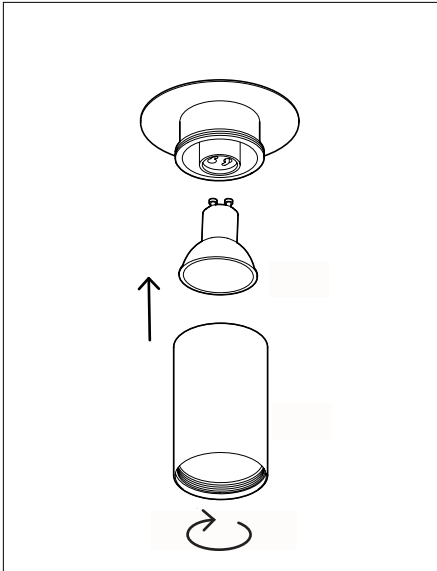
2A. Connect the wire-ends to the WAGO cable connectors.



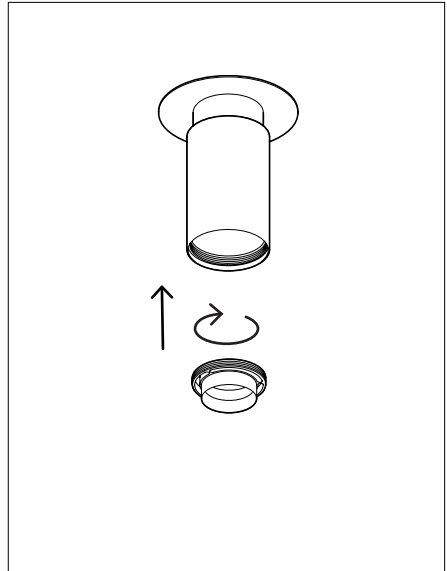
1B. Select and employ screw anchors, which are suited to the surface where the appliance is to be installed. Mount the adaptor disc to the wall with 3 wall screws.

2B. Mount the lamp base to the plastic bracket with 3 screws. Please make sure it is fixated properly. Then, connect the wire-ends to the WAGO cable connectors.

The use of the adaptor disc enables mounting on existing $\text{\O}68\text{mm}$ outlets.



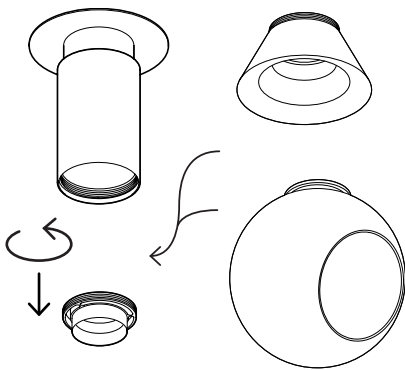
3. Place the Gu10 light bulb in the socket. Then, screw the metal tube with the base. Fixate it by turning te tube clockwise.



4. Screw the reflector with the base. Fixate it by turning the reflector clockwise.

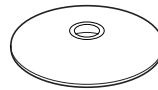
Not included: Gu10 light bulb

OTHER SHADE VARIANTS



Alternate lamps shades

(depending on your order):



Solar shade
35mm x
Ø 260 mm



Glass sphere
Ø 150 mm



Moon shade
50mm x
Ø 120 mm



Trapeze shade
50mm x
Ø 110 mm



Cylinder shade
50mm x
Ø 120 mm

ANOUR 

Contact@anour.dk
Valhojs Alle 180, 2610 Rodovre,
Denmark

www.anour.dk