

# ANOUR

## DONYA PIVOT WALL

### Installation manual

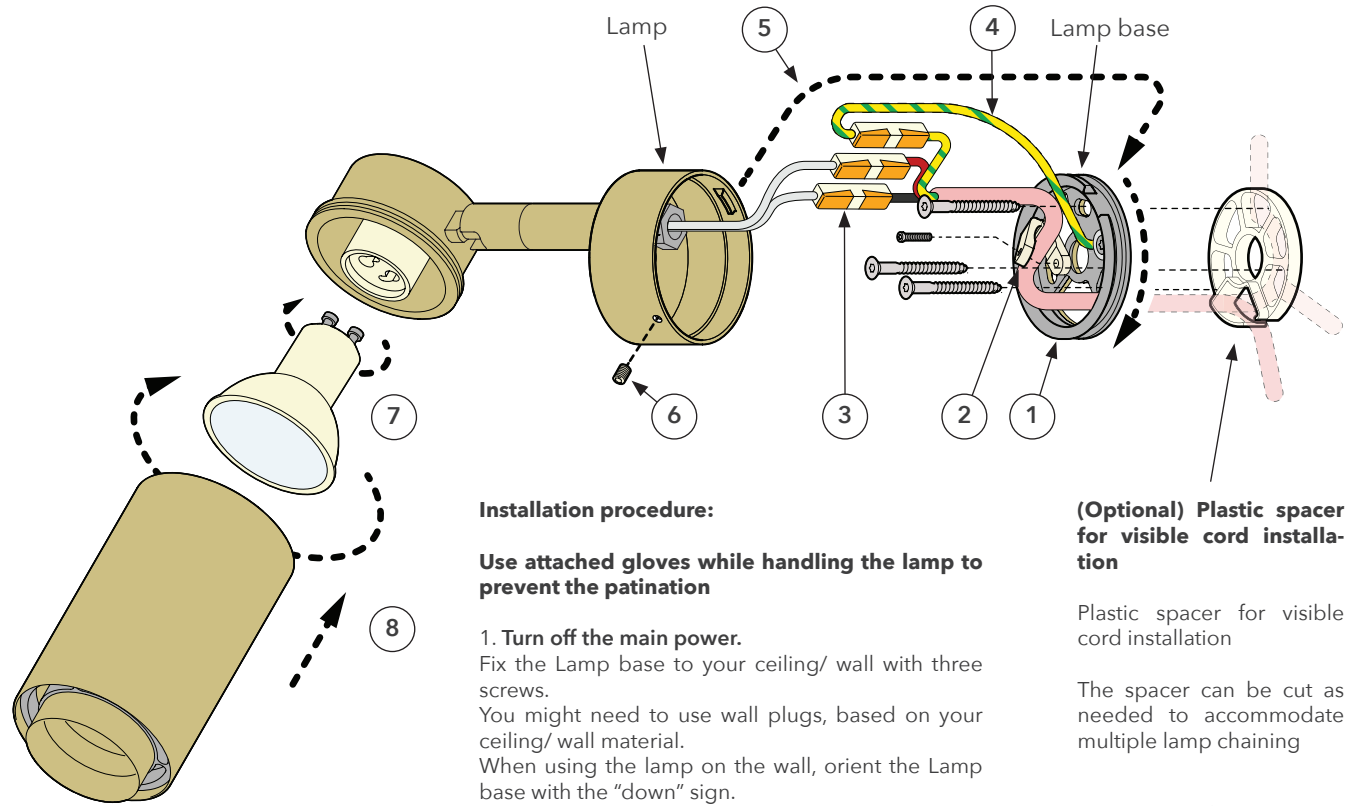
Please, read our instructions before installing and using the product. Unpack the rosette upon receiving it. If you keep the rosette in the original packing for a prolonged period, the part surface might be affected.

If you have any problems with the electrical installation, contact an electrician. Be sure to turn off the power before you start the installation. In some countries, all electrical installation must be carried out by professional electricians only. For further information, contact the relevant authorities.

Our products are for indoor use only. Check on a regular basis that the cord and other parts are not damaged. In this case, the product must not be used. Save these instructions for future use.

Our products are marked with the symbol of the crossed out wheelie bin. That means that the product should not be disposed of with other household waste. Our products must be recycled in accordance with local environmental regulations for the disposal of waste. In complying with this you will help to minimize any adverse effect on human and environmental health.

If you have any questions please contact Anour.  
contact@anour.dk (2025)



#### Installation procedure:

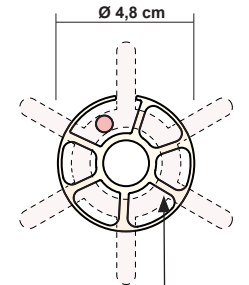
**Use attached gloves while handling the lamp to prevent the patination**

- 1. Turn off the main power.**  
Fix the Lamp base to your ceiling/ wall with three screws.  
You might need to use wall plugs, based on your ceiling/ wall material.  
When using the lamp on the wall, orient the Lamp base with the "down" sign.
- Install the strain relief on your 230V power cable. Depending on your power cable, you might need to use a different screw to fix the cable properly.
- Connect the 230V to the cord via Wago connectors.
- Connect the grounding via the Wago connectors
- Connect the Lamp and Lamp base. Make sure to align the notch and twist the rosette after.
- Secure the rosette with a set screw.
- Place the GU10 light bulb in the socket as illustrated.  
**Use max. 6 watt bulb.**  
**GU10 light bulb is not included**
- Connect the lamp body with the base as illustrated. Fixate it by turning it all the way clockwise.

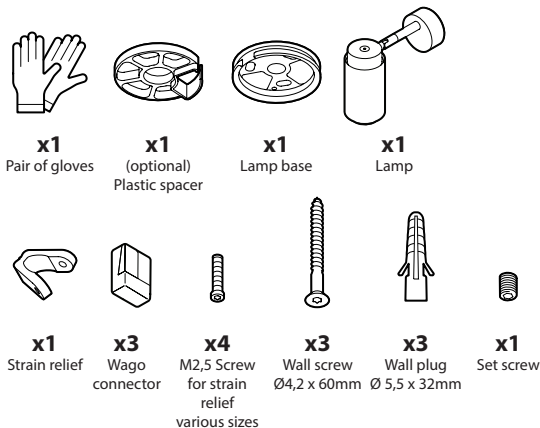
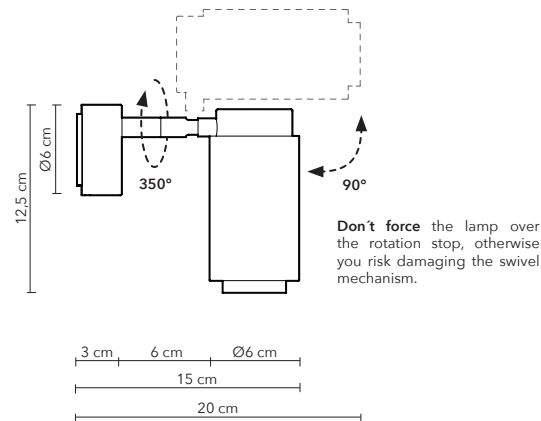
#### (Optional) Plastic spacer for visible cord installation

Plastic spacer for visible cord installation

The spacer can be cut as needed to accommodate multiple lamp chaining



Can be cut as needed



# ANOUR

## DONYA PIVOT WALL WITH BACKPLATE

### Installation manual

Please, read our instructions before installing and using the product.

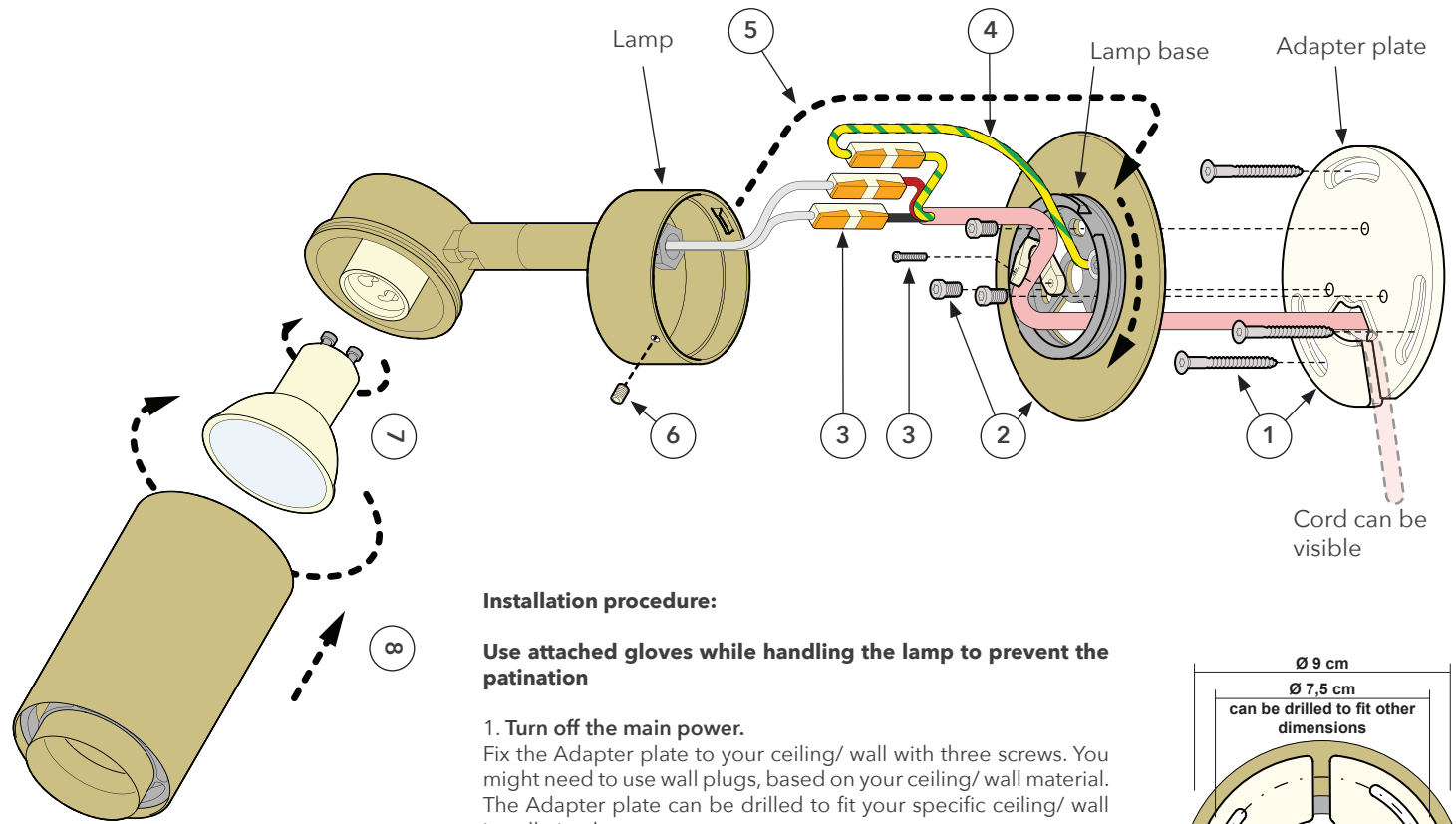
Unpack the rosette upon receiving it. If you keep the rosette in the original packing for a prolonged period, the part surface might be affected.

If you have any problems with the electrical installation, contact an electrician. Be sure to turn off the power before you start the installation. In some countries, all electrical installation must be carried out by professional electricians only. For further information, contact the relevant authorities.

Our products are for indoor use only. Check on a regular basis that the cord and other parts are not damaged. In this case, the product must not be used. Save these instructions for future use.

Our products are marked with the symbol of the crossed out wheelie bin. That means that the product should not be disposed of with other household waste. Our products must be recycled in accordance with local environmental regulations for the disposal of waste. In complying with this you will help to minimize any adverse effect on human and environmental health.

If you have any questions please contact Anour.  
contact@anour.dk (2025)



### Installation procedure:

#### Use attached gloves while handling the lamp to prevent the patination

##### 1. Turn off the main power.

Fix the Adapter plate to your ceiling/ wall with three screws. You might need to use wall plugs, based on your ceiling/ wall material. The Adapter plate can be drilled to fit your specific ceiling/ wall installation box.

When using the lamp on the wall, orient the Lamp base with the "down" sign.

2. Mount the Lamp base to the Adapter plate with three screws with hex head.

3. Install the strain relief on your 230V power cable. Depending on your power cable, you might need to use a different screw to fix the cable properly.

4. Connect the 230V to the cord via Wago connectors.

5. Connect the grounding via the Wago connectors

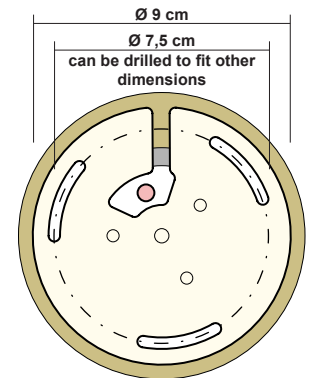
6. Connect the Lamp and Lamp base. Make sure to align the notch and twist the rosette after.

7. Secure the rosette with a set screw.

8. Place the GU10 light bulb in the socket as illustrated.

**Use max. 6 watt bulb. GU10 light bulb is not included**

9. Connect the lamp body with the base as illustrated. Fixate it by turning it all the way clockwise.



Adapter plate

