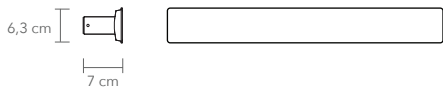
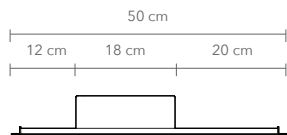


ANOUR

DIVAR 2.0
50 cm



PRODUCT: DIVAR 2.0, 50 cm

LEAD TIME: 8-10 weeks

WEIGHT: 1,7 kg (approximate value)

PACKAGE WEIGHT: 2,0 kg (approximate value)

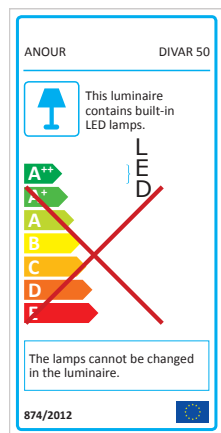
DIMMER: External dimming Triac as standard
Touch button on the lamp / Dali / Casambi available on request

OPTIONAL CORD: 2m black cord + eu wall plug

CERTIFICATION: CE (230V)

MATERIAL: Steel, Stainless steel, Corten steel, Brass, Copper, Marble

For more technical information, please see the installation manual.



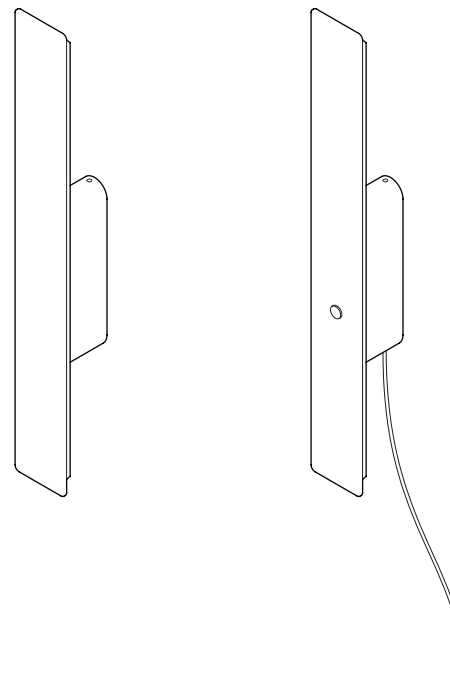
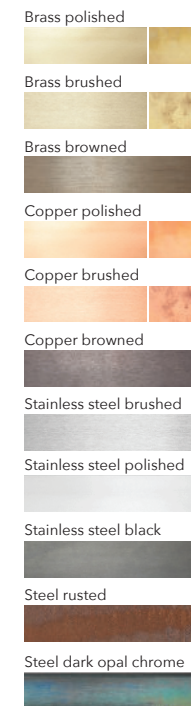
TECHNICAL DETAILS:

240V
Illumination
LED
Wattage: 10 W
Light output: 600 lm
Color temperature: 2700 K, 3000 K, 4000 K
CRI: 93+
LED life hours: 50,000
IP20



SCAN FOR
INSTALLATION
INSTRUCTIONS

AVAILABLE MATERIALS AND FINISHES:

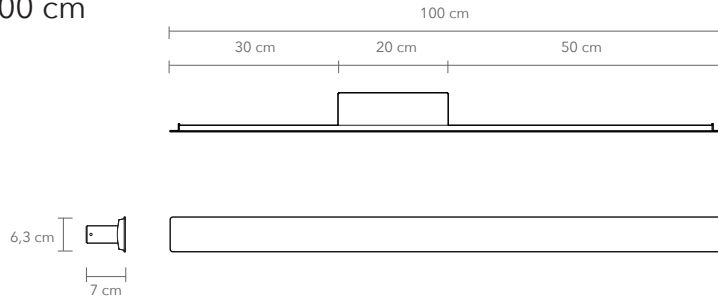


OPTIONAL TOUCH BUTTON ON THE LAMP

OPTIONAL CORD WITH WALL PLUG

ANOUR

DIVAR 2.0
100 cm



PRODUCT: DIVAR 2.0, 100 cm

LEAD TIME: 8-10 weeks

WEIGHT: 2,5 kg (approximate value)

PACKAGE WEIGHT: 3,4 kg (approximate value)

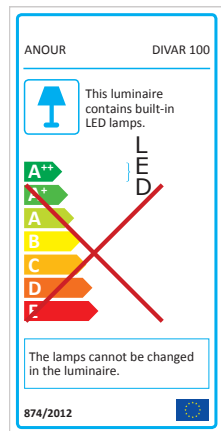
DIMMER: External dimming Triac as standard
Touch button on the lamp / Dali / Casambi available on request

OPTIONAL CORD: 2m black cord + eu wall plug

CERTIFICATION: CE (230V)

MATERIAL: Steel, Stainless steel, Corten steel, Brass, Copper, Marble

For more technical information, please see the installation manual.



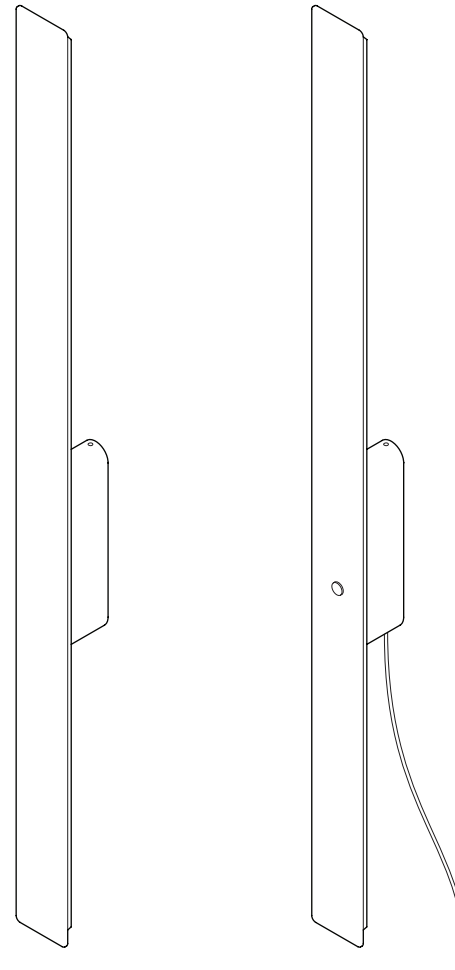
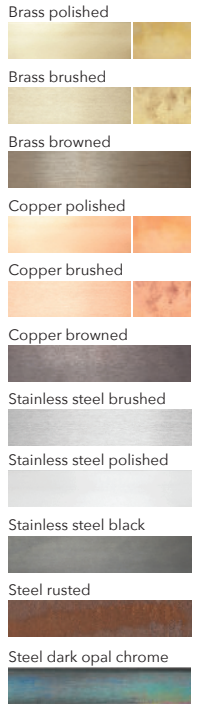
TECHNICAL DETAILS:

240V
Illumination
LED
Wattage: 20 W
Light output: 1345 lm
Color temperature: 2700 K, 3000 K, 4000 K
CRI: 93+
LED life hours: 50,000
IP20



SCAN FOR
INSTALLATION
INSTRUCTIONS

AVAILABLE MATERIALS AND FINISHES:

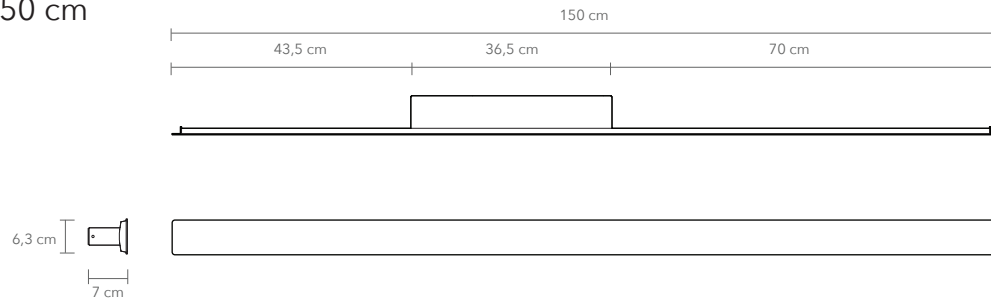


OPTIONAL TOUCH BUTTON ON THE LAMP

OPTIONAL CORD WITH WALL PLUG

ANOUR

DIVAR 2.0
150 cm



PRODUCT: DIVAR 2.0, 150 cm

LEAD TIME: 8-10 weeks

WEIGHT: 3,7 kg (approximate value)

PACKAGE WEIGHT: 4,9 kg (approximate value)

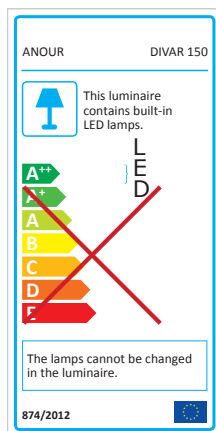
DIMMER: External dimming Triac as standard
Touch button on the lamp / Dali / Casambi available on request

OPTIONAL CORD: 2m black cord + eu wall plug

CERTIFICATION: CE (230V)

MATERIAL: Steel, Stainless steel, Corten steel, Brass, Copper, Marble

For more technical information, please see the installation manual.



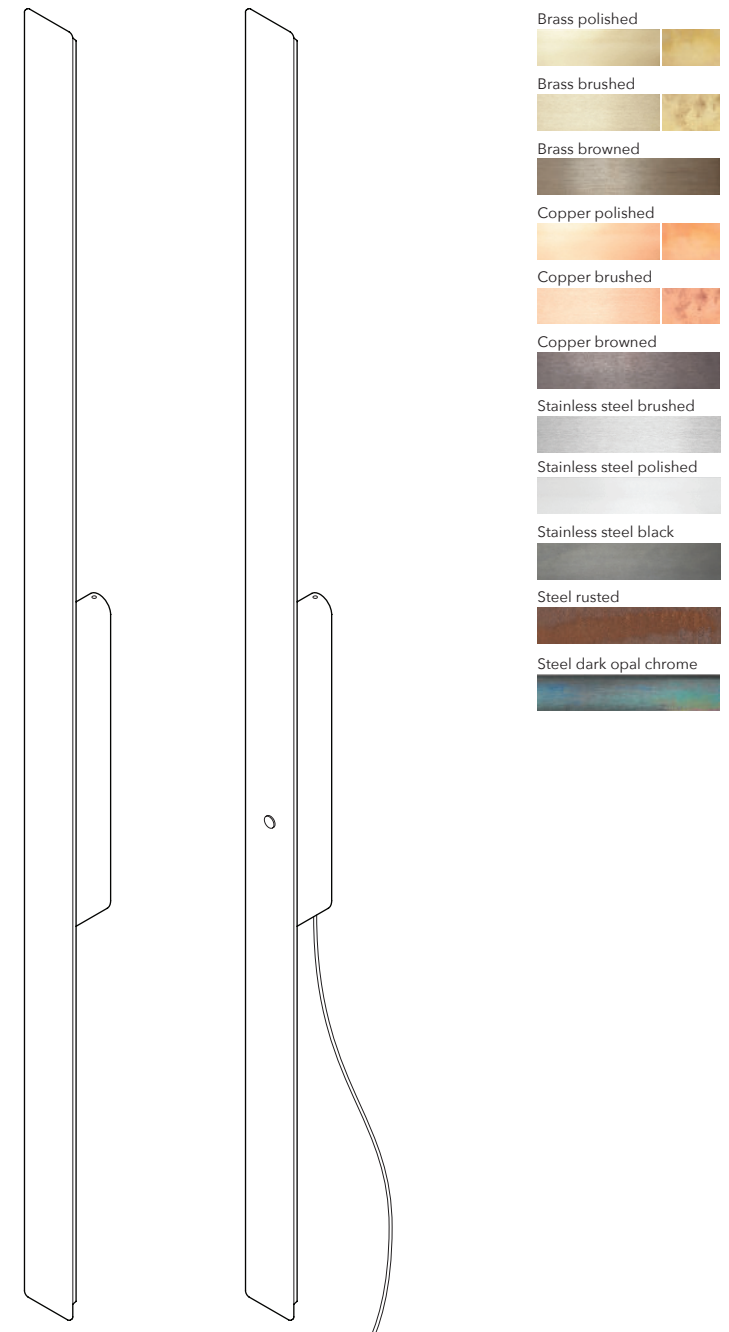
TECHNICAL DETAILS:

240V
Illumination
LED
Wattage: 30 W
Light output: 2050 lm
Color temperature: 2700 K, 3000 K, 4000 K
CRI: 93+
LED life hours: 50,000
IP20



SCAN FOR
INSTALLATION
INSTRUCTIONS

AVAILABLE MATERIALS AND FINISHES:

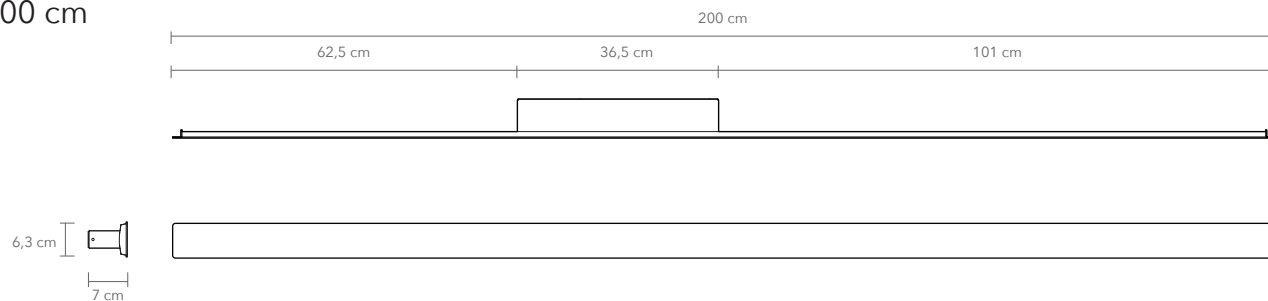


OPTIONAL TOUCH BUTTON ON THE LAMP

OPTIONAL CORD WITH WALL PLUG

ANOUR

DIVAR 2.0
200 cm



PRODUCT: DIVAR 2.0, 200 cm

LEAD TIME: 8-10 weeks

WEIGHT: 4,6 kg (approximate value)

PACKAGE WEIGHT: 6,1 kg (approximate value)

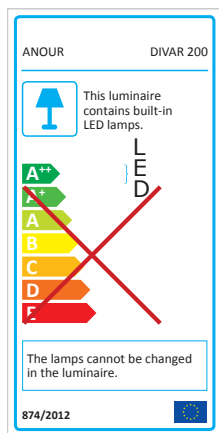
DIMMER: External dimming Triac as standard
Touch button on the lamp / Dali / Casambi available on request

OPTIONAL CORD: 2m black cord + eu wall plug

CERTIFICATION: CE (230V)

MATERIAL: Steel, Stainless steel, Corten steel, Brass, Copper, Marble

For more technical information, please see the installation manual.



TECHNICAL DETAILS:

240V

Illumination

LED

Wattage: 40 W

Light output: 2760 lm

Color temperature: 2700 K, 3000 K, 4000 K

CRI: 93+

LED life hours: 50,000

IP20



SCAN FOR
INSTALLATION
INSTRUCTIONS

AVAILABLE MATERIALS AND FINISHES:

Brass polished



Brass brushed



Brass browned



Copper polished



Copper brushed



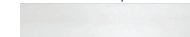
Copper browned



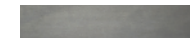
Stainless steel brushed



Stainless steel polished



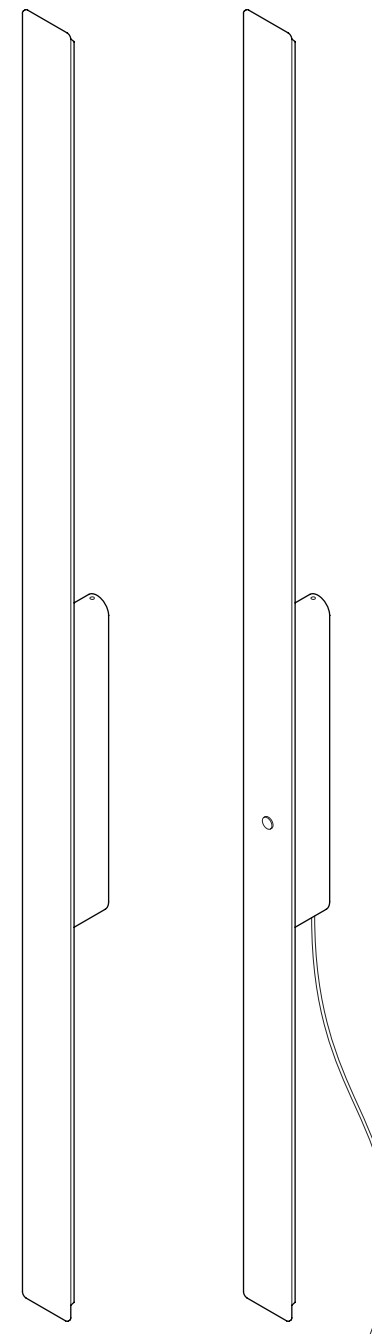
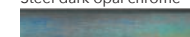
Stainless steel black



Steel rusted



Steel dark opal chrome



OPTIONAL TOUCH BUTTON ON THE LAMP

OPTIONAL CORD WITH WALL PLUG