

ANOUR


DONYA PIVOT DROP CEILING

Installation manual

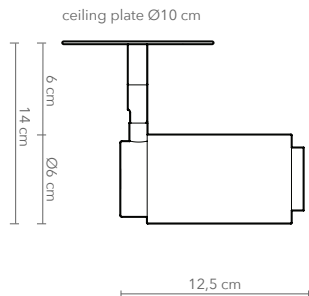
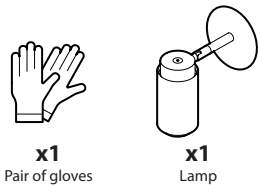
Please, read our instructions before installing and using the product. Unpack the rosette upon receiving it. If you keep the rosette in the original packing for a prolonged period, the part surface might be affected.

If you have any problems with the electrical installation, contact an electrician. Be sure to turn off the power before you start the installation. In some countries, all electrical installation must be carried out by professional electricians only. For further information, contact the relevant authorities.

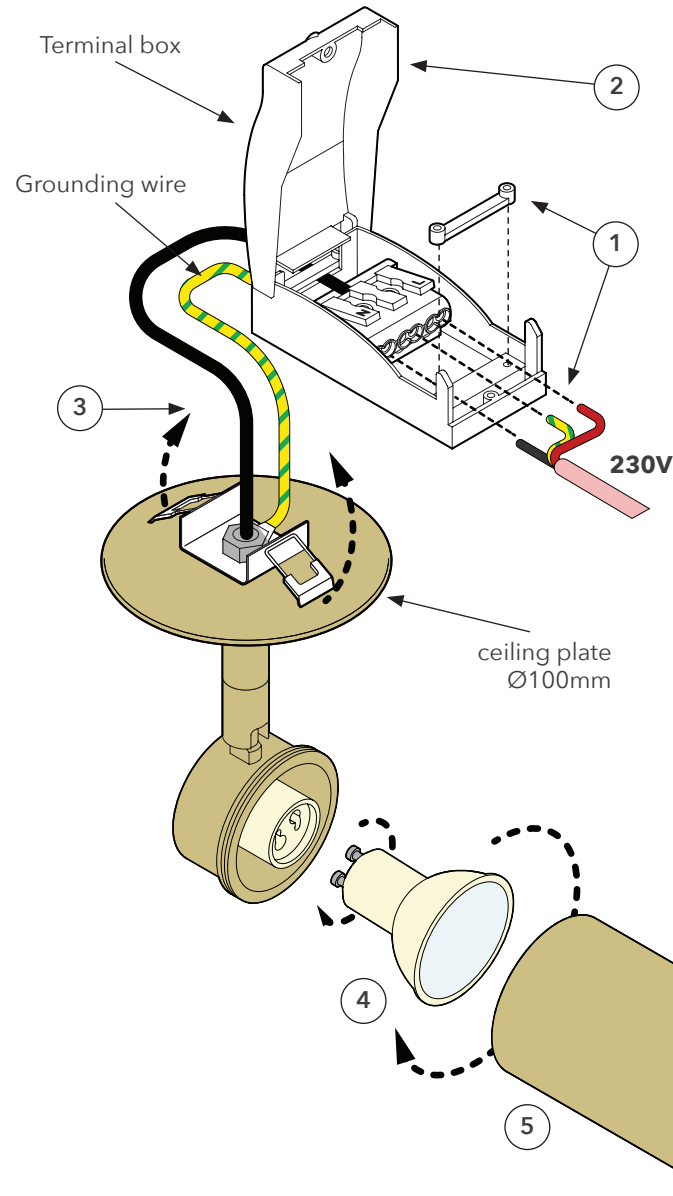
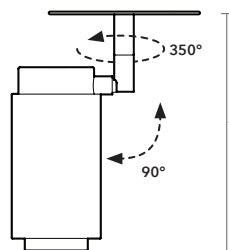
Our products are for indoor use only. Check on a regular basis that the cord and other parts are not damaged. In this case, the product must not be used. Save these instructions for future use.

 Our products are marked with the symbol of the crossed out wheelie bin. That means that the product should not be disposed of with other household waste. Our products must be recycled in accordance with local environmental regulations for the disposal of waste. In complying with this you will help to minimize any adverse effect on human and environmental health.

If you have any questions please contact Anour.
contact@anour.dk (2025)



Don't force the lamp over the rotation stop, otherwise you risk damaging the swivel mechanism.



Installation procedure:

Use attached gloves while handling the lamp to prevent the patination

1. Turn off the main power.
Connect the 230V to the main power cord via Terminal box. Use strain relief.
2. Close the terminal box with the screw.
3. Hold the drop ceiling arms closed and carefully insert the lamp into the opening in the ceiling. The spring on arms will hold the lamp in place.

We recommend the ceiling hole Ø55 - Ø 60mm.

4. Place the GU10 light bulb in the socket as illustrated.
Use max. 6 watt bulb.
GU10 light bulb is not included
5. Connect the lamp body with the base as illustrated.
Fixate it by turning it all the way clockwise.