

ANOUR

I - MODEL WALL MOUNTED

Installation manual

Please, read our instructions before installing and using the product.


Unpack the lamp upon receiving it. If you keep the lamp in the original packing for a prolonged period, the lamp surface might be affected.

If you have any problems with the electrical installation, contact an electrician. Be sure to turn off the power before you start the installation. In some countries, all electrical installation must be carried out by professional electricians only. For further information, contact the relevant authorities.

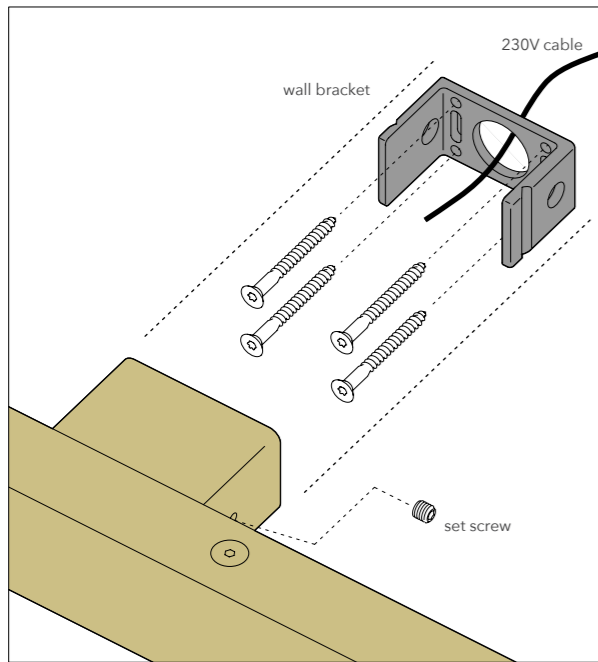
Our products are for indoor use only. Check on a regular basis that the cord and other parts are not damaged. In this case, the product must not be used. Save these instructions for future use.

We use LED as a light source for our products. For replacement of LED contact Anour. The product should not be dismantled as it may get damaged. The product should not come into direct contact with water.

The lamp must be connected to the wall switch. This wall switch should be used on a regular basis to ensure the proper functionality of the lamp and driver longevity.

 Our products are marked with the symbol of the crossed out wheelie bin. That means that the product should not be disposed of with other household waste. Our products must be recycled in accordance with local environmental regulations for the disposal of waste. In complying with this you will help to minimize any adverse effect on human and environmental health.

If you have any questions please contact Anour.
contact@anour.dk (2023)



Installation procedure:

use attached gloves while handling the lamp to prevent the patination!

- Measure the wall bracket position

We highly recommend using the delivered lamp as a template as each lamp is unique and handmade, and there might be slight dimension differences.

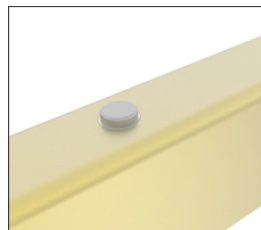
- mount the wall bracket with attached screws. Use wall plugs if needed

- connect the lamp to the 230V according to your selected lightsource option with attached wire connectors

- put the lamp onto the wall brackets

- lock the lamp with set screws for both brackets

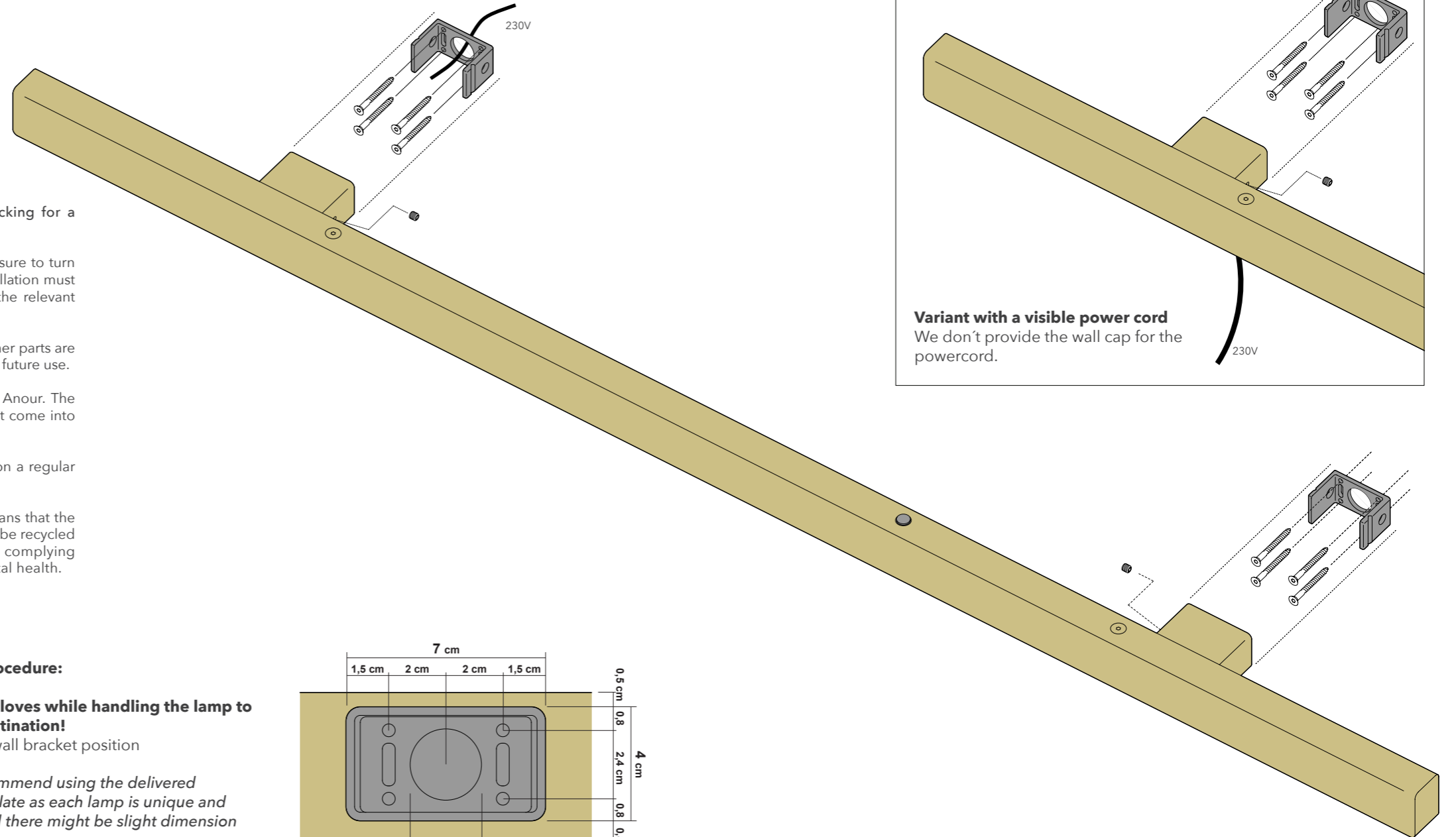
- turn on the power, test the lamp



Control options:

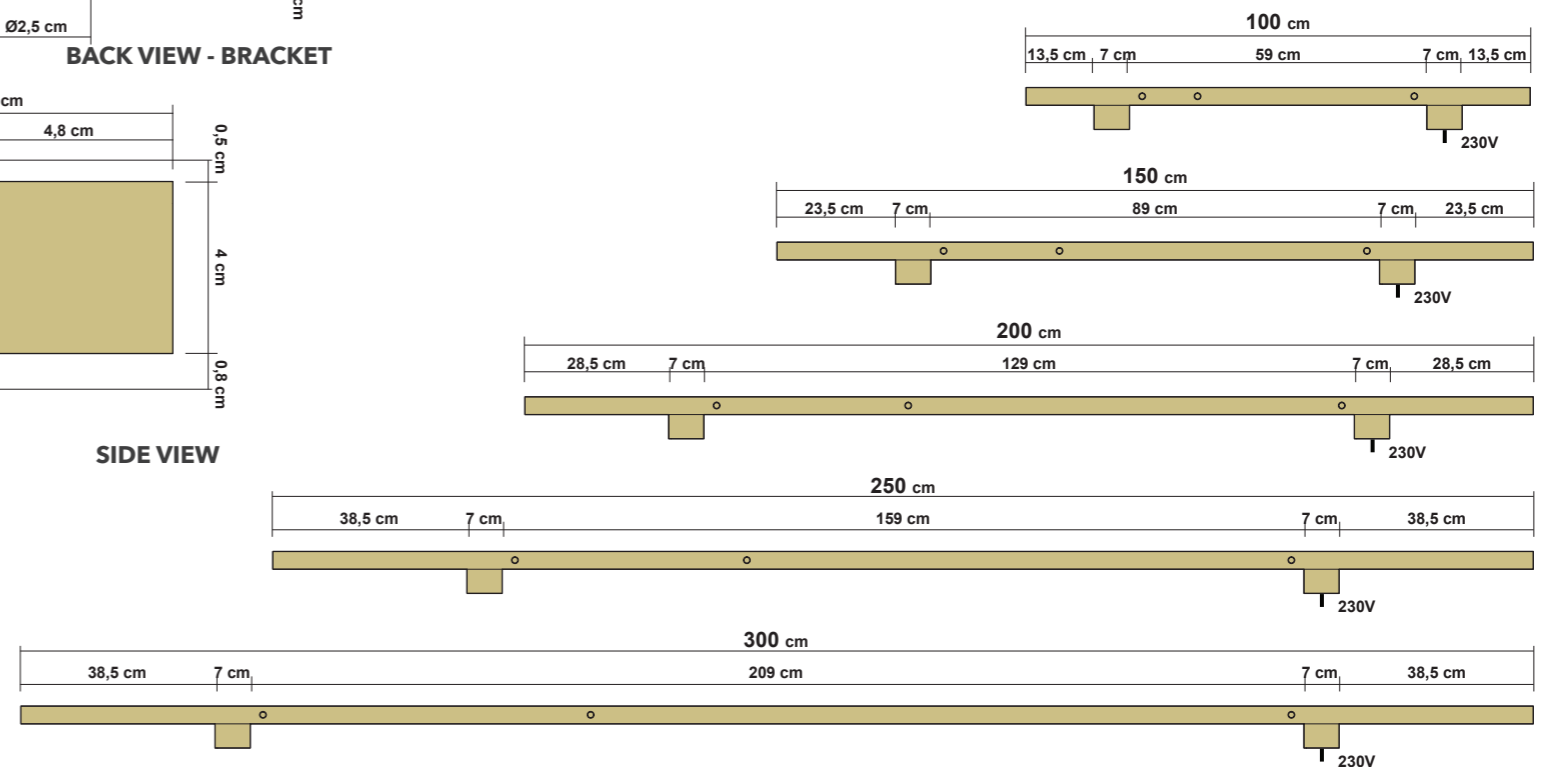
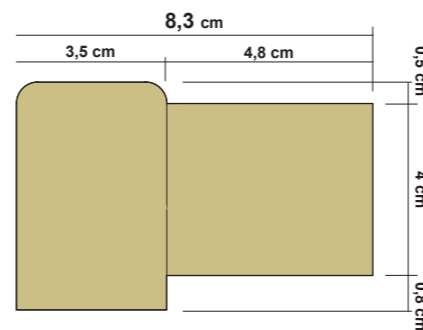
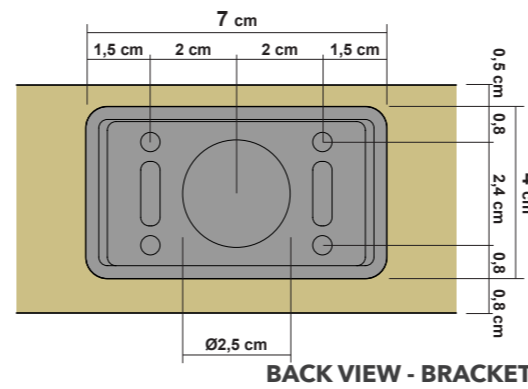
On / Off / Dimming.

- Quick tap on the button on the lamp = On/Off.
- Hold finger on the button = brighten or dim.
- Double tap: for max or min brightness



Variant with a visible power cord

We don't provide the wall cap for the powercord.



WIRING INSTALATION MANUAL

Check your order first, as you cannot combine multiple solutions.

If you have any problems with the electrical installation, contact an electrician. Be sure to turn off the power before you start the installation. In some countries, all electrical installation must be carried out by professional electricians only. For further information, contact the relevant authorities.

Standard cord lenght is 3,5m unless requested otherwise.

1. DIAGRAM STANDARD WITH TOUCH DIMMER BUTTON ON THE LAMP



Cord width Ø6 mm

2. DIAGRAM DALI



Cord width Ø8,5 mm

3. DIAGRAM PUSH DIM



Cord width Ø8,5 mm

4. DIAGRAM 1-10V



Cord width Ø8,5 mm

5. TRIAC



Cord width Ø6 mm

Check your order first, as you cannot combine multiple solutions.

If you have any problems with the electrical installation, contact an electrician. Be sure to turn off the power before you start the installation. In some countries, all electrical installation must be carried out by professional electricians only. For further information, contact the relevant authorities.

DIAGRAM TRIAC WITH EXTERNAL DIMMING

